

TAKSTAR® 得胜



E300mini | 扩音器
AMPLIFIER

■ 前言

尊敬的用户：

感谢您选购得胜E300mini扩音器，为了您能够更好的了解使用本产品，建议您在使用前仔细阅读本说明书。

若存在有疑问或者您有宝贵的建议，可通过拨打得胜官方服务热线400 6828 333或微信扫描二维码关注得胜官方公众号与我们联系。



■ 产品特性

- 一款体积小巧轻便的MINI型扩音器；
- 采用稀土材质扬声器，重量轻、音质好、声音大；
- 数字扩音技术，8W大功率音频输出；
- 内置大容量锂电池，节能环保，使用时间约12小时；
- 具有无线播放功能，不受线材束缚，播歌更方便；
- 配备指示灯显示设计，实时了解扩音器工作状态；
- 具有肩挂及腰挂等多种佩戴方式，使用更方便；
- 产品依照人体工学原理设计，造型新颖，外观时尚。

■ 包装清单

E300mini扩音器.....	1个
头戴麦克风.....	1个
背扣.....	1个
腰带.....	1条
Type-C充电线.....	1条
说明书.....	1份

■ 适用范围

适用于教学、导游、培训、促销等场合扩音

■ 技术参数

主机参数

频率响应：150Hz-12kHz

峰值功率：8W

扬声器阻抗：4Ω

总谐波失真：THD≤1% 1KHz@4R,4W

工作电压：3.45V-4.2V

电池类型：锂离子电池

电池容量：3.7V/1800mAh

• 充电方式：DC 5V=800mA

• 充电时间：约2.5小时

• 使用时间：约12小时

• 产品重量：约148g

• 产品尺寸：92mm*72.5mm*25mm

头戴麦克风参数

• 拾音器：背极式驻极体

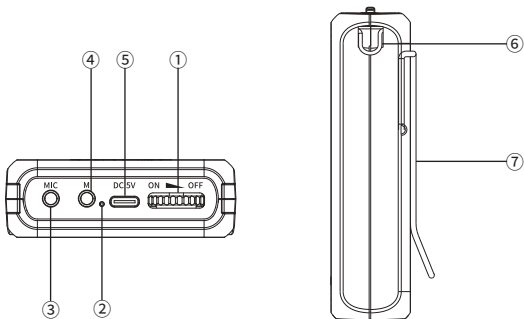
• 指向性：单指向

• 频率响应：60Hz-16KHz

• 灵敏度：-48.5dB±3dB(0dB=1V/Pa,
at 1KHz)

注：以上数据由得胜实验室测得并拥有最终解释权！

■ 功能示意：



①电源开关和音量调整旋钮：向“ON”方向拨动旋钮，听到“滴”一声，表示扩音器已通电，此时电源指示灯②亮蓝灯，继续向“ON”方向拨动旋钮则声音增大，反之向“OFF”方向拨动旋钮则声音减小直至听到“滴”的一声关机；

②电源指示灯：充电时，指示灯长亮红灯；红灯熄灭，蓝灯长亮表示电已充满；扩音过程中红蓝灯闪烁表示低电压，当此红蓝灯闪烁时，请及时为扩音器充电；

③MIC输入插孔：将 $\phi 3.5\text{mm}$ 的麦克风插头插入此孔，进入扩音工作状态；操作时，请不要将麦克风的拾音面朝向扩音器的扬声器，以免产生啸叫；

④“M”模式切换键：开机状态下，循环点按“M”键，可切换麦克风模式和无线播放模式，并有相应的语音提示；

⑤充电接口：通过Type-C充电线为扩音器充电；

⑥挂扣：用于安装肩带，可将扩音器斜挂于肩上使用；

⑦背扣：用于将扩音器扣于腰带或裤腰上使用。

■ 使用方法

1. 将头戴麦克风正确佩戴在头部，并调整好麦克风的拾音角度；
2. 将 $\phi 3.5\text{mm}$ 的麦克风插头插入MIC输入插孔内；
3. 打开电源开关，电源指示灯亮蓝灯，调整音量旋钮到合适的音量；
4. 在使用过程中，若指示灯红蓝灯闪烁时，表示扩音器处于低电量状态，请及时充电。

提示：初次使用时，建议先充满电；当电池充满时，请停止对电池充电，避免电池过冲；如长时间不使用，需每半年充电一次，避免电池过放，并对电池性能产生影响。

无线播放配对

首次使用本机时，需要与手机或无线播放设备配对连接，步骤如下：

1. 先打开扩音器电源开关，点按“M”键切换成无线播放模式，此时指示灯蓝灯快速闪烁，表示扩音器正在搜索配对状态。
2. 进入手机的“设置”菜单，开启手机的无线播放功能，待搜索到“TAKSTAR E300mini”点击“TAKSTAR E300mini”进行连接，当指示灯由快闪变成慢闪状态，同时伴有语音提示，表示无线播放已连接成功，手机、笔记本、平板、IPAD等设备无线连接产品成功后，可实现播放音乐功能。
3. 下次开机后点按“M”键切换至无线播放模式时，将自动回连最后一次使用的播放设备，并伴有语音提示；无线播放连接成功的情况下，点按“M”键可断开连接。

■ 安全警示

为避免电击、高温、着火、辐射、爆炸、机械危险以及使用不当等可能造成的人身伤害或财产损失，使用本产品前，请仔细阅读并遵守以下事项：

1. 使用产品时请确认所连设备与本产品是否匹配以及合理调整音量大小，不要在超过产品功率及大音量下长时间使用，以免造成产品异常；
2. 使用中若发现有异常（如冒烟、异味等），请立即关闭电源开关并拔掉电源插头，然后将产品送售后服务网点检修；
3. 本产品及配件都应放置在室内干燥通风处，请勿长期存放在潮湿、灰尘多的环境，使用中避免靠近火源、雨淋、进水、过度碰撞、抛掷、振动本机及覆盖通风孔，以免损坏其功能；
4. 若产品需要固定于墙壁或天花板时，请确保固定到位，防止因固定强度不足导致产品发生跌落危险；
5. 使用该产品时需遵守相关安全规定，法律法规明确禁止使用场合请勿使用本产品，以免导致意外事故；
6. 请不要自行拆机改装或维修，以防止出现人身伤害，如有问题或服务需求请联系当地售后服务网点跟进处理。

■ 关于图标含义解释



此符号表示，根据WEEE指令(2012/19/EU)和国家法律，由于这种类型的废弃物会有潜在的有害物质，可能对环境 and 人类健康产生负面影响，所以本产品不应与您的家庭垃圾一起处置，应将本产品交由授权的电气和电子设备（WEEE）回收站回收。同时，您在正确处理本产品的同时将有助于自然资源的有效利用。如需了解更多有关您可以在何处放置废物回收设备的信息，请联系您当地的城市办事处、废物管理局或家庭废物处理服务部门。

■ 环保说明

产品中所含有毒有害物质或元素的名称及含量

部件名称 (大体分类)	有毒有害物质或元素					
	铅 (Pb)	汞 (Hg)	镉 (Cd)	六价铬 (Cr(VI))	多溴联苯 (PBB)	多溴二苯醚 (PBDE)
塑胶部件	○	○	○	○	○	○
五金部件	×	○	○	○	○	○
电路板组件	×	○	○	○	○	○
线缆	×	○	○	○	○	○

本表格依据SJ/T 11364的规定编制。

○:表示该有害物质在该部件所有均质材料中的含量均在 GB/T 26572规定的限量要求以下。

×:表示该有害物质至少在该部件的某一均质材料中的含量超出 GB/T 26572规定的限量要求。

此标志为产品的环保使用期限标志，

且此环保使用期限只适用于产品正常工作的温度和湿度等条件。



■ 关于本说明书

本说明书中内容符合截止印刷之日的技术规格。由于得胜公司会不断改进产品，本说明书可能不符合您的特定产品的技术规格。要获取最新版说明书，请访问得胜官网，然后下载说明书文件。技术规格、设备或另售的附件在各个地区可能有所不同，如有问题请与当地得胜销售网点确认。如需更多支持和深层产品信息，请浏览得胜官方网站：<https://www.takstar.com>

E300mini AMPLIFIER

■ Preface

Dear Customer,

Thank you for purchasing TAKSTAR E300mini Amplifier. Please read the user manual carefully before use and keep it for reference in future.

If you have any questions or suggestions, please contact our local dealer.

■ Features

- Compact and lightweight mini amplifier
- Rare earth material speaker, lightweight, good sound quality, loud sound
- Digital sound reinforcement, 8W high-power audio output
- Built-in large-capacity Lithium battery, energy-saving and environmentally friendly, approx. 12h operation time
- Wireless music playback, unrestrained by wires
- Indicator light to display the real-time working status of the amplifier
- Wearing it with a waist or shoulder strap for more convenient use
- Ergonomic design, novel and stylish appearance

■ Product content

E300mini Amplifier.....	1pc
Headworn microphone	1pc
Waist strap clip	1pc
Strap	1pc
Type-C charging cable	1pc
User manual	1pc

E300mini AMPLIFIER

■ Applications

Teaching, tour guide, training, promotion

■ Specifications

Amplifier

Frequency Response: 150Hz-12kHz

Peak Power: 8W

Speaker Impedance: 4Ω

THD: THD≤1% 1KHz@4R,4W

Operating Voltage: 3.45V-4.2V

Battery Type: Li-ion battery

Battery Capacity: 3.7V/1800mAh

Charging: DC 5V \approx 800mA

Charging Time: approx. 2.5h

Operation Time: approx. 12h

Weight: approx. 148g

Dimensions: 92mm*72.5mm*25mm

Headworn Microphone

Cartridge: back electret cartridge

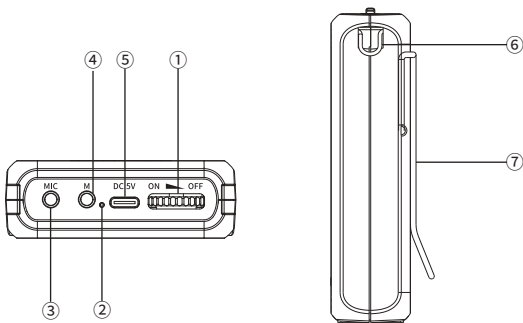
Polar Pattern: unidirectional

Frequency Response: 60Hz-16KHz

Sensitivity: -48.5dB±3dB (0dB=
1V/Pa, at 1KHz)

Note: The data is tested by Takstar Laboratory, and Takstar has the final interpretation right!

■ Function instructions



① Power switch & volume control knob: Turn the power switch towards the "ON" direction till you hear the sound "da", indicating that the amplifier is turned on, and the power LED lights up blue. The volume increases when you continue to turn the power switch towards the "ON" direction. The volume decreases when you turn the power switch towards the "OFF" direction, and when you hear the sound "da", it means the amplifier is turned off.

② Power LED: The LED lights up red when the amplifier is charging and lights up blue when fully charged. When the LED flashes red and blue during sound reinforcement, it means low battery and the amplifier needs to be charged in time.

③ MIC jack: Insert the $\varnothing 3.5\text{mm}$ microphone plug into the MIC jack for sound reinforcement. Please do not face the cartridge of the microphone to the loudspeaker of the amplifier to avoid howling.

E300mini AMPLIFIER

- ④M mode switch button: Press [M] button when powered on to switch between microphone and wireless mode, accompanied by corresponding voice prompt.
- ⑤Charging port: Charge the amplifier via the Type-C charging cable.
- ⑥Shoulder strap buckle: It is used to install the shoulder strap, and the amplifier can be hung diagonally on the shoulder for use.
- ⑦Waist strap clip: It is used to buckle the amplifier on the belt or the waistband for use.

■ Operation instructions

1. Put the headworn microphone on your head and adjust the pickup angle of the microphone.
2. Insert the $\varnothing 3.5$ mm microphone plug into the MIC jack.
3. When the power switch is turned on, the power LED lights up blue. Adjust the volume knob to a proper position.
4. If the power LED flashes red and blue during use, it indicates that the battery is running low and needs to be charged in time.

Note: When using the amplifier for the first time, please fully charge it before use. When the amplifier is fully charged, please stop charging it to avoid overcharge of the battery. If the amplifier is not used for a long time, please charge it once every six months to avoid over-discharge of the battery, otherwise it will affect the battery performance.

Wireless Playback Pairing

Upon first use, you need to connect this device to your phone or Bluetooth device, following below steps:

1. Power up the amplifier, press [M] to switch to wireless mode and start wireless discovery and pairing, indicated by a rapid flashing blue LED.
2. Enter SETTINGS menu on your phone, find and enable wireless function, wait until TAKSTAR E300mini is discovered and tap on it to connect. When connected successfully, there will be a voice prompt. Devices such as cell phones, laptops, tablets, and iPads can play music wirelessly thereafter.
3. The next time you switch to wireless mode, the amplifier will automatically connect to the previously paired device, signaled by a voice prompt. When wireless connection is active, press [M] to disconnect.

■ Safety instructions

To avoid possible personal injury or property damage caused by electric shock, high temperature, fire, radiation, explosion, mechanical hazards, and improper use, please read and observe the following items before using the product.

1. Please check if the power of the connected equipment matches with that of this product before operation. Adjust the volume to proper level during operation. Do not operate at over-power or high-volume level for extended time to avoid product malfunction.
2. If there is any abnormality during use (e.g., smoke, strange odor), please kill the power switch and unplug from power source, then send the product to the local after-sales service for repair.
3. Keep this product and its accessories in a dry and ventilated area. Do not store in a humid or dusty area for extended time. Keep away from fire, rain, liquid intrusion, bumping, throwing, vibrating, or from blocking any ventilation openings, to prevent malfunction.
4. The product must, when installed on walls or ceilings, be fixed firmly in place at adequate strength to prevent from falling.
5. Please abide by safety rules during operation. Do not use the product in places prohibited by laws or regulations to avoid accident.
6. Do not disassemble or repair the product by yourself to avoid injury. If you have any questions or require any services, please contact our local after-sales service for follow-up.

■ Label Meanings



This symbol indicates that this product should not be disposed of with your household waste, according to the WEEE directive (2012/19/EU) and your national law. This product should be handed over to an authorized collection site for recycling waste electrical and electronic equipment (WEEE). Improper handling of this type of waste could have a possible negative impact on the environment and human health due to potentially hazardous substances that are generally associated with WEEE. At the same time, your cooperation in the correct disposal of this product will contribute to the effective usage of natural resources. For more information about where you can drop off your waste equipment for recycling, please contact your local city office, waste authority, or your household waste disposal service.

■ About This Manual

This manual contains up-to-date technical specifications as of printing. However, specifications contained herein may not conform to your particular product since Takstar is constantly improving its products. Also, specifications, devices or accessories available may vary from region to region. If you have any questions, please contact our local sales outlet. For the latest version/more information, please visit our website: <https://www.takstar.com/>

注意事项:

1. 本单为保修凭证, 请用户妥善保管, 如有遗失, 恕不保修或退换。
2. 保修期限制: 购买之日起十二个月内。
3. 除了不可抗力事件损坏外, 由本公司负责, 免费维修。
4. 如属保管不善或使用不当造成的损坏, 维修点将酌情收费。
5. 擅自拆卸维修者, 不予保修。
6. 以上保修条款仅限于中国市场适用 (不含港澳台地区)。

产品服务保证书

姓名: _____ 电话: _____ 地址: _____

商品: _____ 型号: _____ 购买日期: _____ 年 ____ 月 ____ 日

维修记录栏 (由维修员填写)	维修员签名	日期

◆ 广东得胜电子有限公司 ◆ 电话: 400-6828-333 ◆ 地址: 广东省惠州市博罗县龙溪街道富康一路2号



扫一扫，了解更多产品
Scan for more
product information

广东省电声工程技术研究中心 广东得胜电子有限公司制造

地址：广东省惠州市博罗县龙溪街道富康一路2号

服务热线：400 6828 333 传真：0752 6383950

邮箱：xs@takstar.com

网址：www.takstar.com

Guangdong Takstar Electronic Co., Ltd.

Address: No. 2 Fu Kang Yi Rd., Longxi Boluo

Huizhou, Guangdong 516121 China

Tel: 86 752 6383644 Fax: 86 752 6383952

Email: sales@takstar.com

Website: www.takstar.com